

Water Mains

1. Pipe: All water mains to be new AWWA C-900 Class 150 PVC or Class 50 Ductile Iron.
2. Valves: Use Resilient Wedge Gate Valves epoxy coated inside and outside.
3. Fittings: All fittings are to be Mechanical Joint with Grip Ring or Mega Lug.
4. Valve Boxes: Use adjustable screw type cast iron boxes set on Valve Box Adapters.
5. Tracer Wire: Use 12 gauge copper wire with direct burial U.L. listed insulation. Tape tracer wire to the top of pipe at center and near joints. Loop up 1' in valve boxes.
6. Underground Splices: Use 3M or equivalent resin filled splice lites to splice tracer wire.
7. Tie Ins: At the tie in points use a Mechanical Joint Connector on all three legs of the tee.
8. Valve Box Adapters: Use Adaptor, Inc. Adapter II between all valve boxes and valves.

Service Connections

1. Tapping Saddles: Use double U-bolt epoxy coated saddles (Mueller DE2A, Smith Blair 313 or equal).
2. Corporation Stop: Use Ford F1001-4 or approved equal.
3. Polyethylene Service: Use 1" IPS rated to 160psi (PE3406) to the curb stop.
4. Insert Stiffeners: All PEP will use an appropriate size insert stiffener at each pipe end.
5. Curb Stop: Use Ford B66-444 IPS Curb Stop on each stub-up, and lock out with wire seal.
6. Meter: Install GCDPW approved Radio Read AMR meter with electronic register. Contractor to provide all materials and labor for commercial installs.
7. Yoke Assembly: Contact GCDPW Water Department for latest parts list.
8. Meter Box: Appropriately sized fiber concrete meter box with traffic rated lid with penetration for radio read MXU on standard in ground meter boxes.
9. Backflow: Use Reduced Pressure, Watts or Equivalent, on commercial domestic taps. Use concrete slab, place RPPA lower port 12" above adjacent ground, with Hot Box or equivalent cover. Irrigation backflow use DCVA if approved, or as specified. DCVA to be placed in below ground box.

READ THESE THOROUGHLY

1. No trees, bushes or landscape plantings are to be removed, without written approval of the Owner.
2. All pipe fittings are to be inspected prior to backfill.
3. All disturbed areas of ground are to be sodded.
4. Immediately replace driveways with an approved temporary all weather surface.
5. The Contractor shall use silt fence between all disturbed areas and undisturbed areas.
6. Silt fence is to be checked weekly, or more often as needed, and shall be cleaned of any accumulated siltation as needed.
7. Where silt fence is not used or maintained, the contractor is responsible for cleaning all sediment from ditches at their own expense.



NO.	REVISIONS	DATE	BY
1.	Updated Meter Notes/Detail	03/30/2015	CED
2.	Updated Meter Notes/Detail		SRP

DEPARTMENT OF PUBLIC WORKS

CITY OF GOOSE CREEK

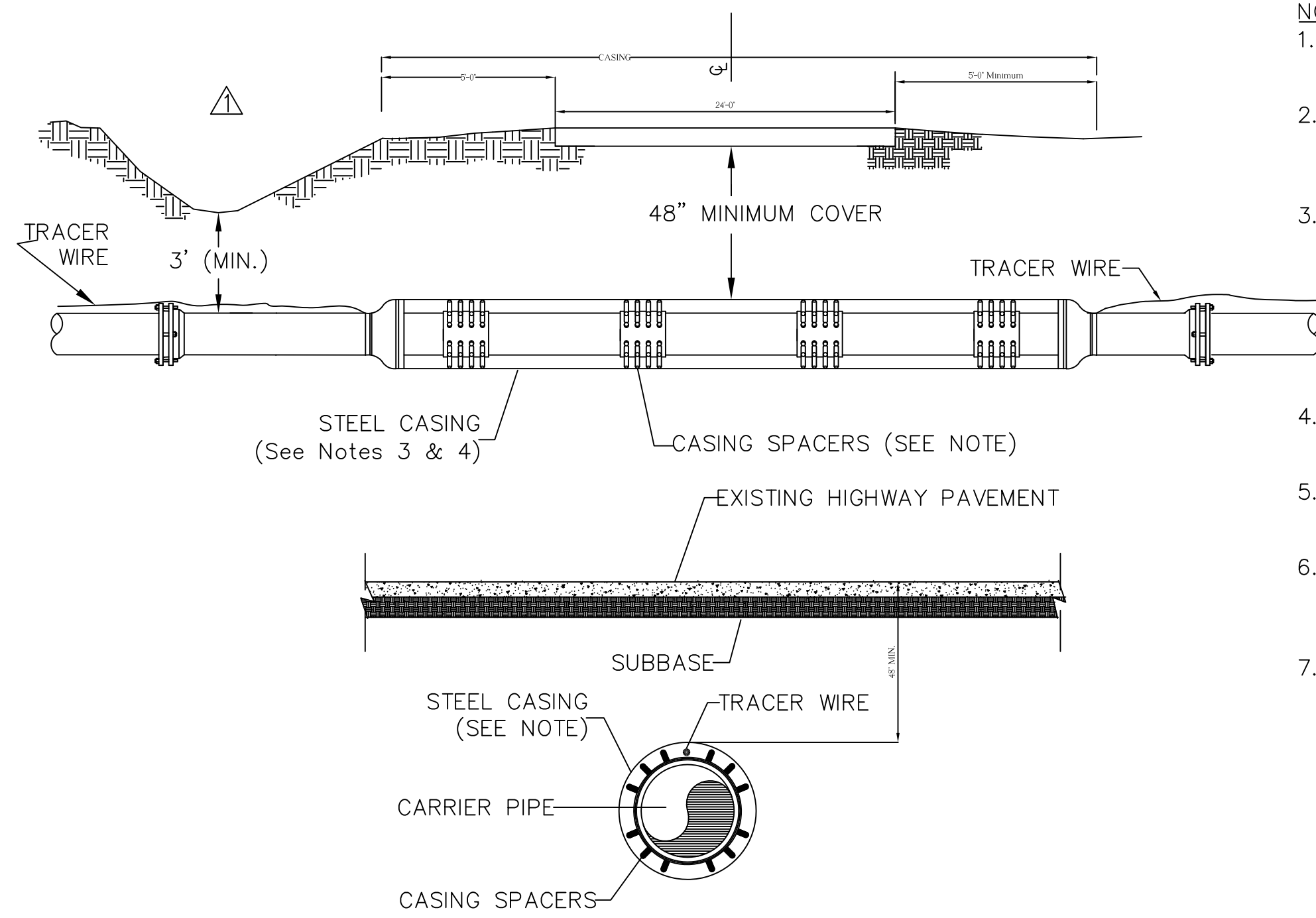
300 BRANDYWINE BLVD. PO DRAWER 1769
 GOOSE CREEK 29445-1768 (843)564-2200

GCDPW Standard Details / Notes

Construction Details / Notes

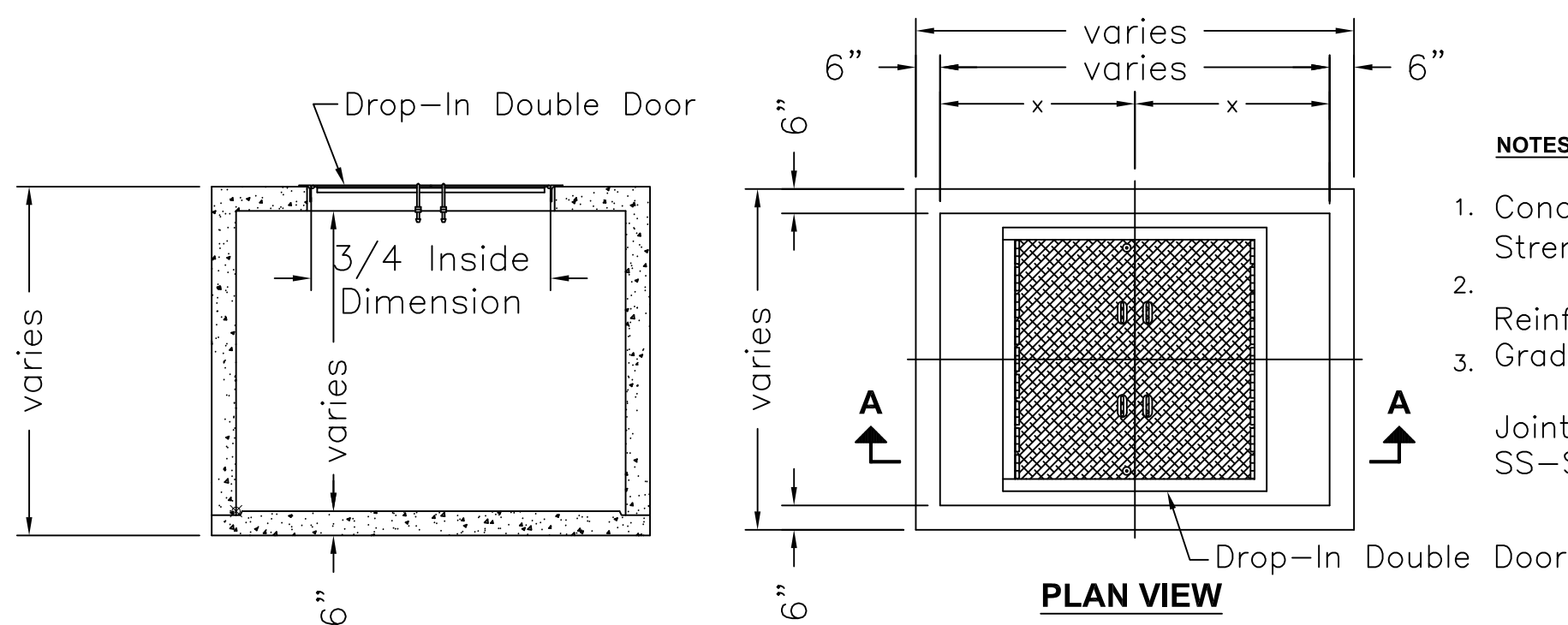
CITY OF GOOSE CREEK SOUTH CAROLINA

JOB NO.	
DATE:	03/30/2015
DRAWN:	CED
CHECKED:	CED
APPROVED:	SRP
SCALE:	1" = NTS

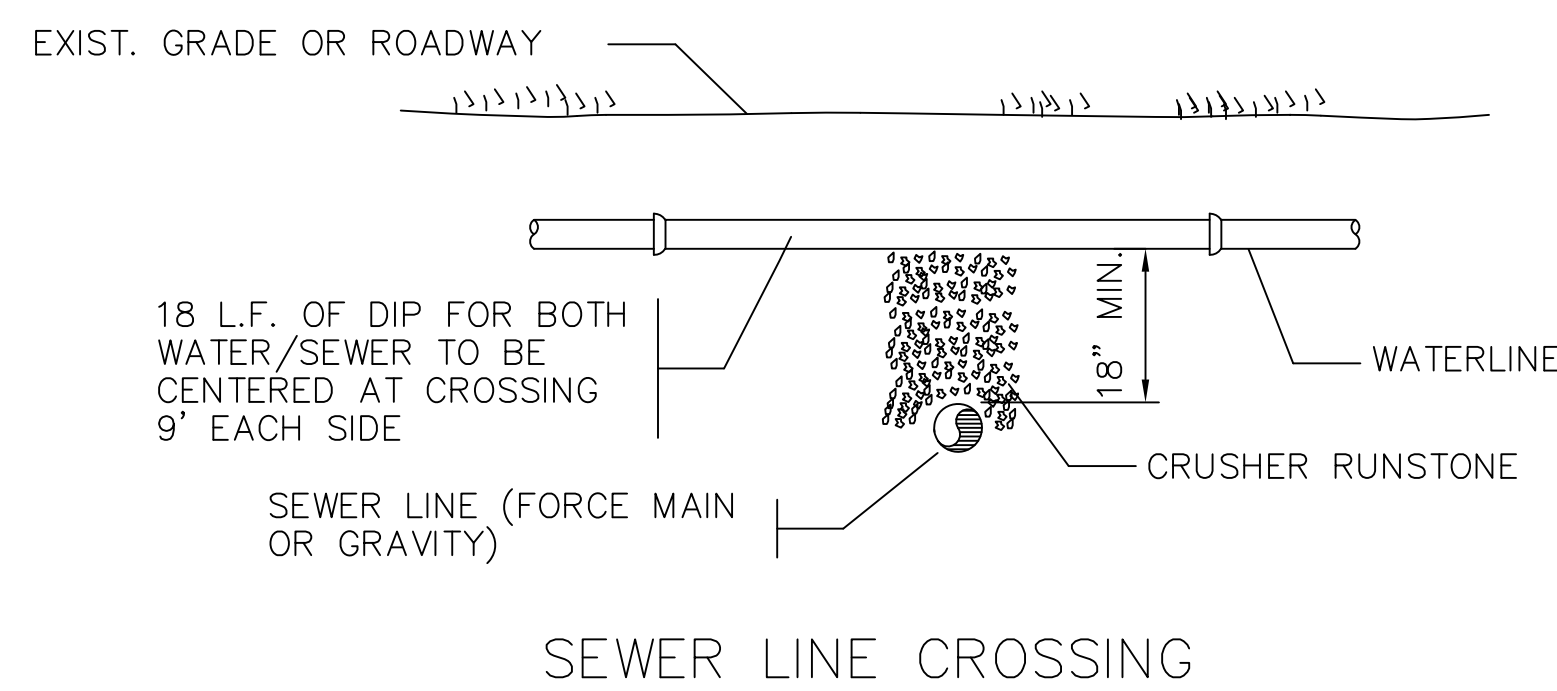
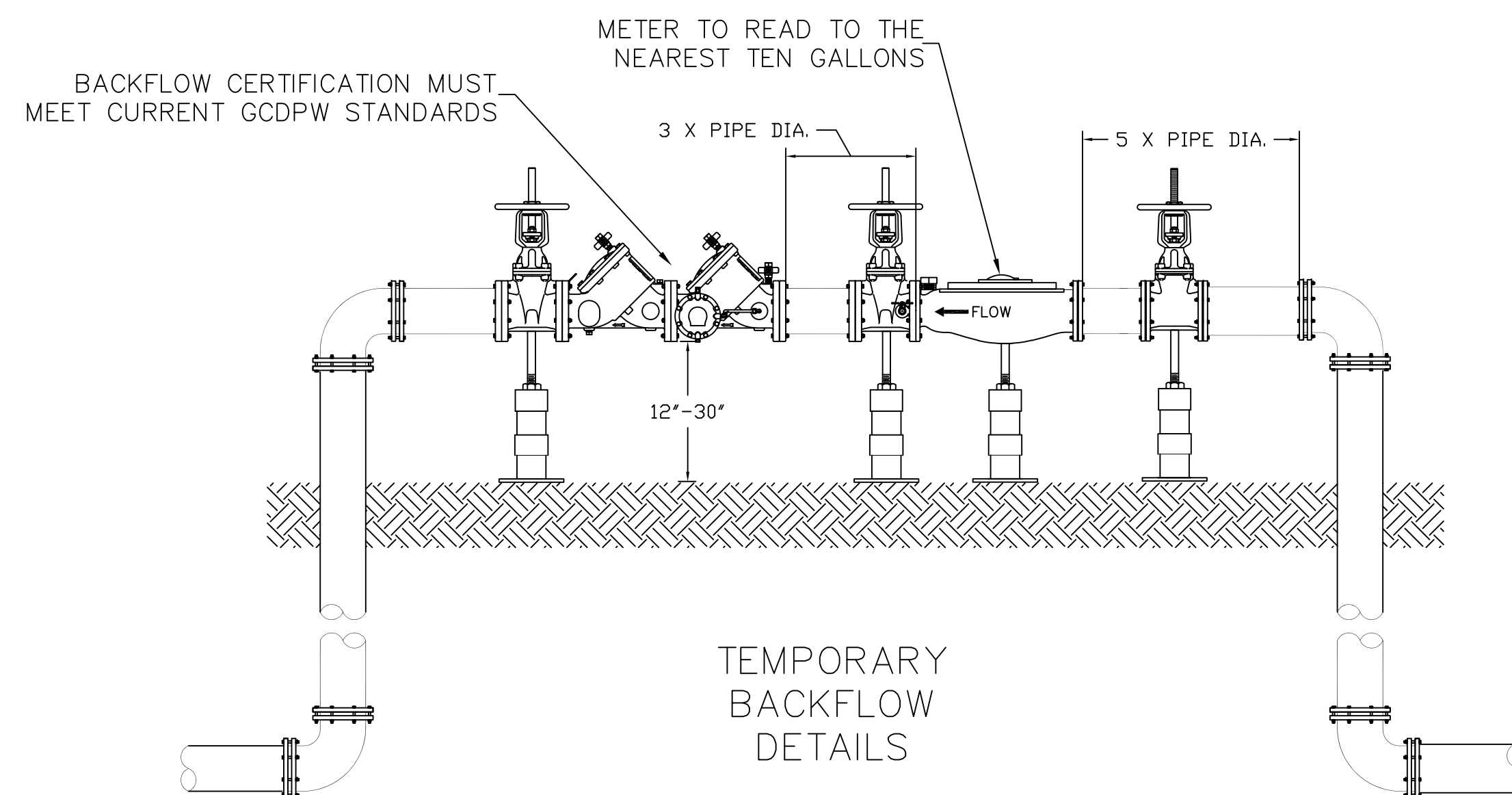


TYPICAL ROADWAY BORE & JACK DETAIL

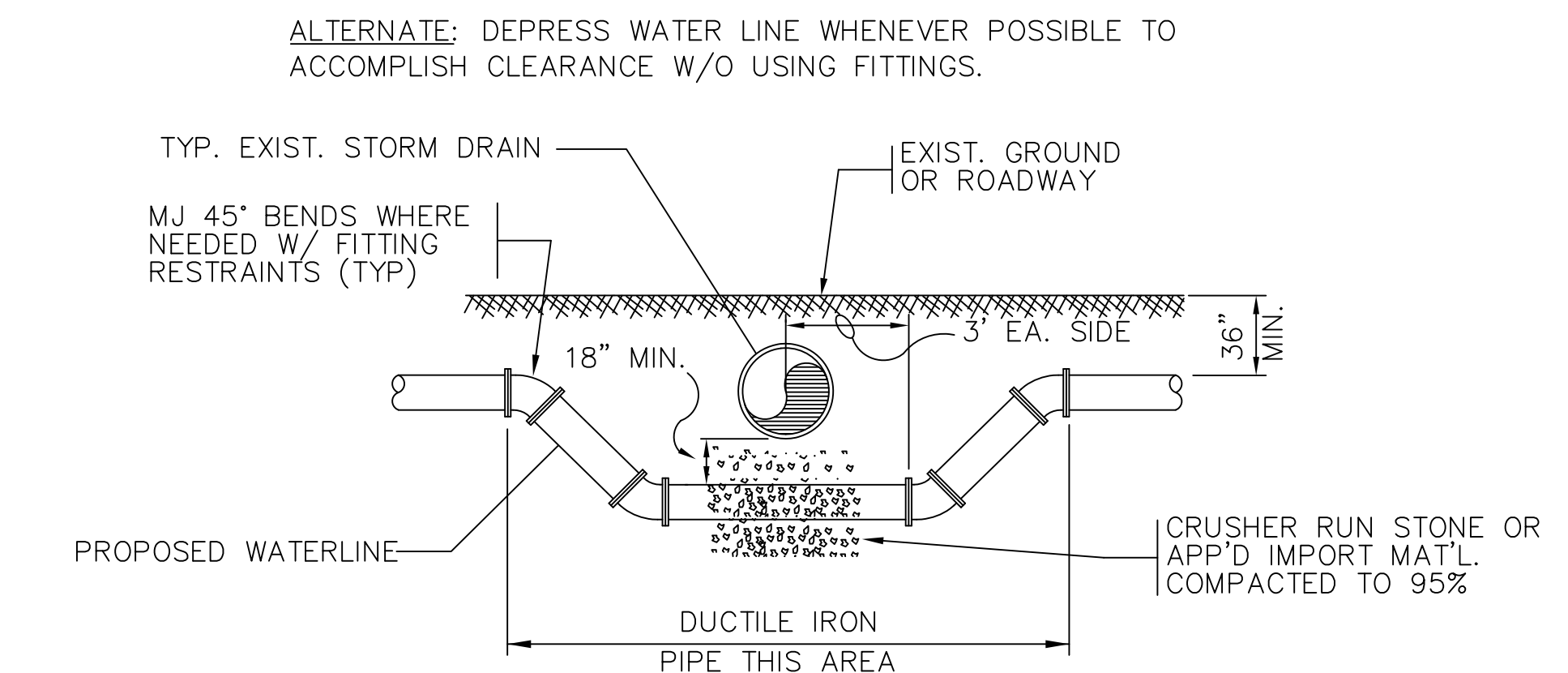
- NOTES:
1. STEEL CASING TO EXTEND A MINIMUM OF 5' BEYOND EDGE OF PAVEMENT.
 2. ALL CONSTRUCTION TO BE INSPECTED AND APPROVED BY LOCAL, COUNTY OR STATE ROAD DEPARTMENT.
 3. CONTRACTOR IS RESPONSIBLE FOR COORDINATING WELD INSPECTIONS PRIOR TO PUSHING CASING.
 4. SIZE AND WALL THICKNESS OF CASING TO BE APPROVED BY GCDPW AND SCDOT.
 5. PLUG BOTH ENDS OF CASING WITH CASCADE CASING PLUGS OR GCDPW APPROVED EQUAL.
 6. CASING SPACERS SHALL BE ALL STAINLESS STEEL WITH PLASTIC SLIDES AS MADE BY CASCADE OR GCDPW APPROVED EQUAL.
 7. SPACING OF CASING SPACERS SHALL BE PER MANUFACTURERS SPECIFICATIONS BASED UPON CARRIER PIPE MATERIAL.



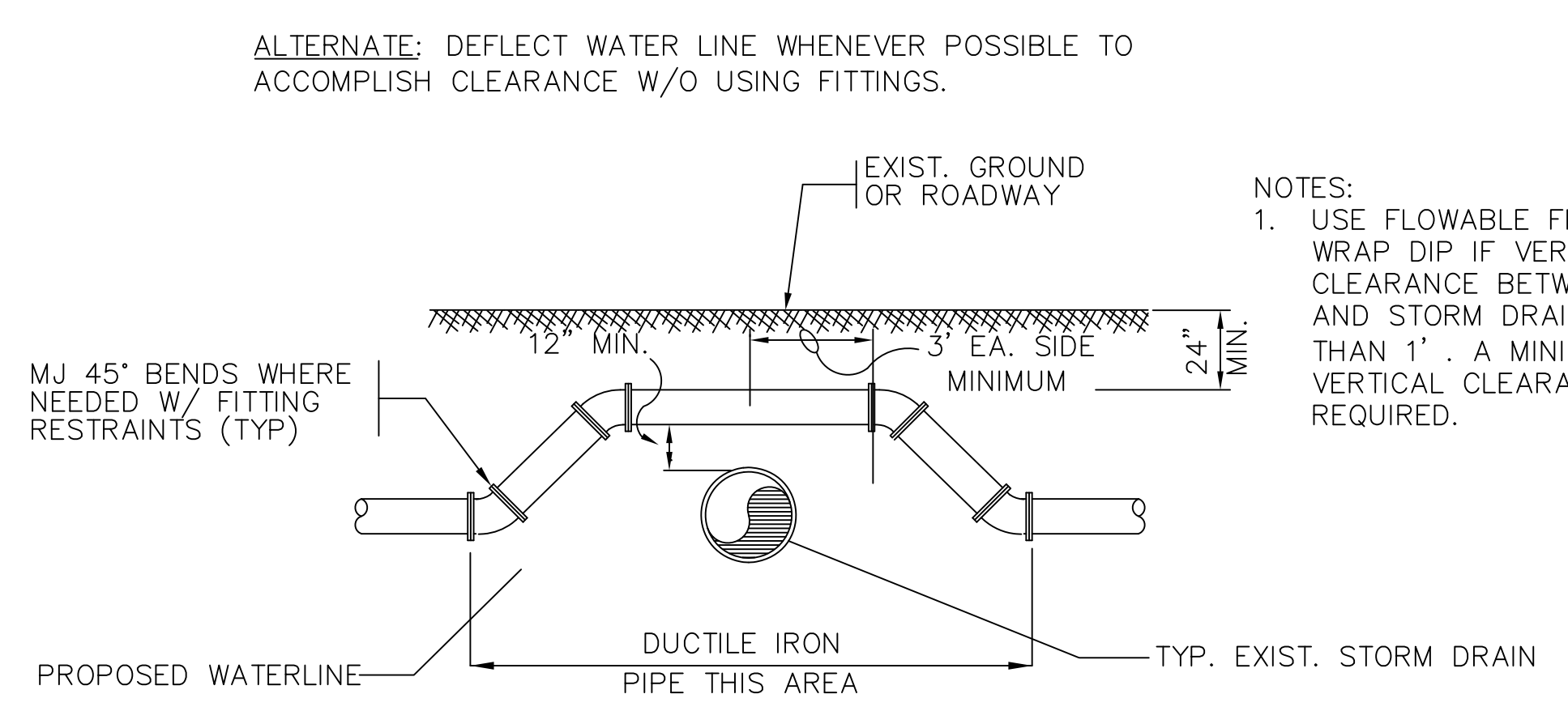
METER VAULT



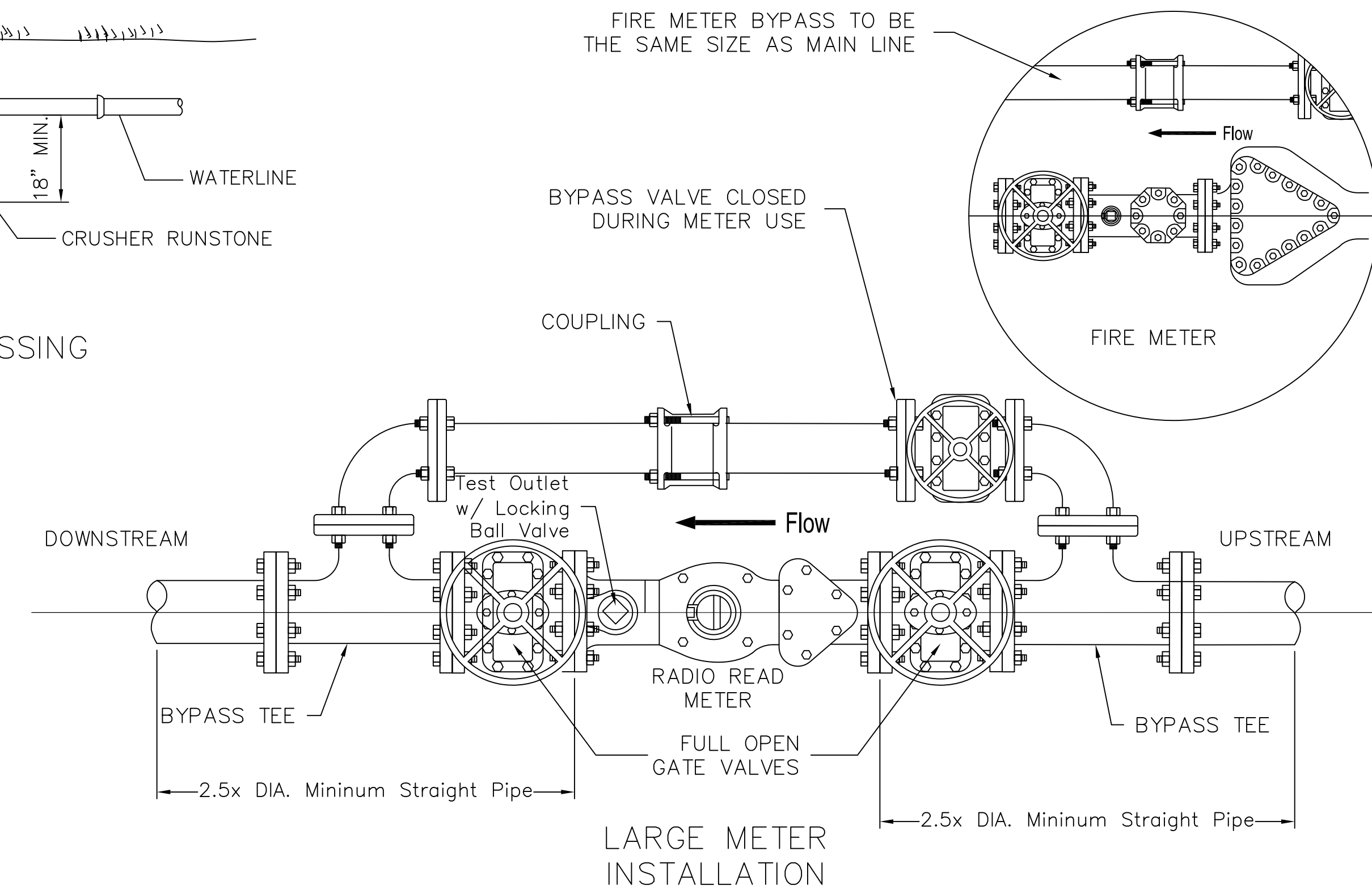
SEWER LINE CROSSING



STORM DRAIN CROSSING (UNDER)



STORM DRAIN CROSSING (OVER)



LARGE METER INSTALLATION

NO.	REVISIONS	DATE
1.	Updated Meter Notes/Detail	CE12/20

DEPARTMENT OF PUBLIC WORKS

300 BRANDYWINE BLVD. PO DRAWER 1769
GOOSE CREEK 29445-1768 (843)524-2200

GCDPW Standard Details / Notes

CITY OF GOOSE CREEK SOUTH CAROLINA

Construction Details / Notes


JOB NO.	
DATE:	03/30/2015
DRAWN:	CE1
CHECKED:	CE1
APPROVED:	SRP
SCALE:	1" = NTS

WATER NOTES:

1. WATER INSTALLATION SHALL BE IN ACCORDANCE WITH "TEN STATE STANDARDS," S.C.D.H.E.C., AND GOOSE CREEK DEPARTMENT OF PUBLIC WORKS (GCDPW) REQUIREMENTS.
2. CONTRACTOR SHALL BE FAMILIAR WITH ALL REQUIREMENTS OF THE GCDPW AND SHALL NOTIFY GCDPW PRIOR TO BEGINNING CONSTRUCTION AND SCHEDULE ALL INSPECTIONS 72 HOURS IN ADVANCE.
3. RADIUS (DEFLECT) WATER LINES IN LIEU OF FITTINGS IN ACCORDANCE WITH THE MANUFACTURER'S SPECIFICATIONS. DEFLECTION NOT TO EXCEED 75% OF MANUFACTURER'S RECOMMENDATION.
4. ALL WATER LINES SHALL HAVE A MINIMUM DIAMETER OF 4", A MINIMUM COVER OF 36" AND A MAXIMUM COVER OF 48". ALL UTILITY CROSSINGS, I.E. STORM DRAINAGE & SANITARY SEWER, SHALL HAVE A FULL SECTION OF D.I.P. CENTERED AT THE CROSSING IN ACCORDANCE WITH S.C.D.H.E.C. AND GCDPW REQUIREMENTS.
5. ALL TEES, BENDS, PLUGS AND HYDRANTS ON LINES 3 INCHES INSIDE DIAMETER OR LARGER SHALL BE PROVIDED WITH THRUST BLOCKING, TIE RODS, OR OTHER APPROVED METHOD OF RESTRAINT PER GCDPW.
6. THE CONTRACTOR SHALL VERIFY THE LOCATION AND ELEVATION OF ALL EXISTING UTILITIES PRIOR TO BEGINNING WORK.
7. ALL WATER LINES UNDER TRAFFIC AREAS SHALL BE:
 - A. DUCTILE IRON WITH FIELD LOCK GASKETS POLYWRAPPED TO GCDPW SPECIFICATIONS OR
 - B. DUCTILE IRON IN A STEEL CASING WITH CASING SPACERS.

THE STEEL CASING OR D.I.P. SHALL EXTEND A MINIMUM OF 3 LF BEYOND THE BACK OF CURB.
8. UPON COMPLETION OF CONSTRUCTION OF THE WATER SYSTEM, THE APPROVAL PROCEDURE SHALL BE AS FOLLOWS:
 - A. A PRESSURE TEST IN ACCORDANCE WITH GCDPW REQUIREMENTS WILL BE SCHEDULED BY THE ENGINEER AND WITNESSED BY GCDPW AND THE ENGINEER.
 - B. AFTER A PASSING PRESSURE TEST, THE CONTRACTOR SHALL TAKE REQUIRED SAMPLES FOR BACTERIAL TESTING.
 - C. A COMPLETE WATER SYSTEM AS-BUILT DRAWING IN A FORMAT ACCEPTABLE TO GCDPW SHALL BE PROVIDED FOR FINAL INSPECTION.
 - D. ANY DEFICIENCIES WILL BE CORRECTED BY THE CONTRACTOR AND FINAL INSPECTION RESCHEDULED.
9. ALL VALVES AND FIRE HYDRANTS SHALL OPEN COUNTER-CLOCKWISE AS PER GCDPW REQUIREMENTS.
10. UNDER NO CIRCUMSTANCES SHALL VALVES OR FIRE HYDRANTS BE PLACED IN SIDEWALKS, CURB AND GUTTER OR ROADWAYS WITHOUT SPECIFIC WRITTEN APPROVAL FROM GCDPW.
11. FIRE HYDRANTS SHALL BE PLACED AS FAR AS PRACTICAL FROM THE ROADWAY (SEE DETAIL).

NO.	REVISIONS	BY	DATE



CITY OF
GOOSE CREEK

DEPARTMENT OF
PUBLIC WORKS

300 BRANDYWINE BLVD. PO DRAWER 1769
GOOSE CREEK 29445-1768 (843)824-2200

GCDPW
Standard Details / Notes

CITY OF GOOSE CREEK SOUTH CAROLINA

Construction Details / Notes

JOB NO.
DATE: 03/30/2015
DRAWN: CED
CHECKED: CED
APPROVED: SRP
SCALE: 1" = NTS